

# TURBINE

## mod. 306



### EFFICACY OF THE TURBINE'S ACTION

The Turbine is of particular value in rural areas and on farms.

In these environments, the use of chemical insecticides or pesticidal equipment that releases gaseous substances could damage crops or the health of animals. Turbine, on the other hand, uses the attractive action of its lamps on flying insects. When they reach the front window, they get sucked in by the action of a fan powered by an electric motor, and deposited in the lower part of the appliance, from where they cannot escape. The external structure, fan and housing for the electrical components are all made from metal to guarantee the strength of the appliance.

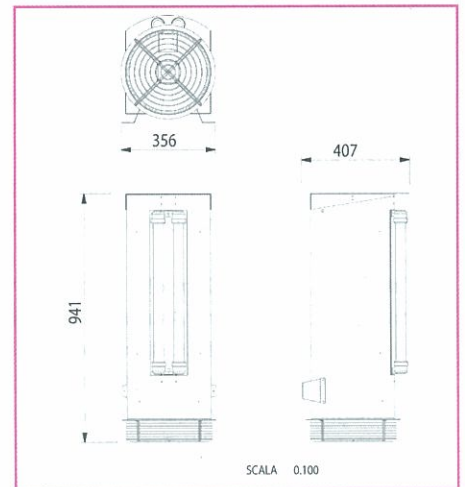
### METHODS OF USE

The Turbine ELECTRIC INSECT KILLER has IPX4 protection, as required by law for external use. It is fixed to a wall with rawlplugs. In order to enable infrequent disposal of the captured insects, the net collection bag has a volume of 25 litres.

### SAFETY

Turbine is a safe appliance and presents no risk of inflammability. It does not emit smoke, radiation or electromagnetic waves that could disturb the animals. It does not use chemical attractants that need replacement.

**NEW**



### TECHNICAL SPECIFICATIONS

Dimensions in mm	407x356x941 mm
Weight	11 kg
Input voltage	230-240 V/50Hz
Total power consumption	165 W
Actinic lamps	2x40W
Duration of lamps	2000 h
Range of operation (m)	15/18 m
Fan rotation speed	1000 rpm
Air intake volume	4 m/s
Insulation class	I
Water protection level	IPX4

### SPARES

0802	40W lamp
002869	Net collection bag